

LED Fin-Flood SMD Series

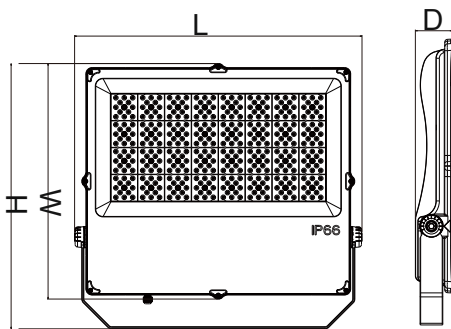
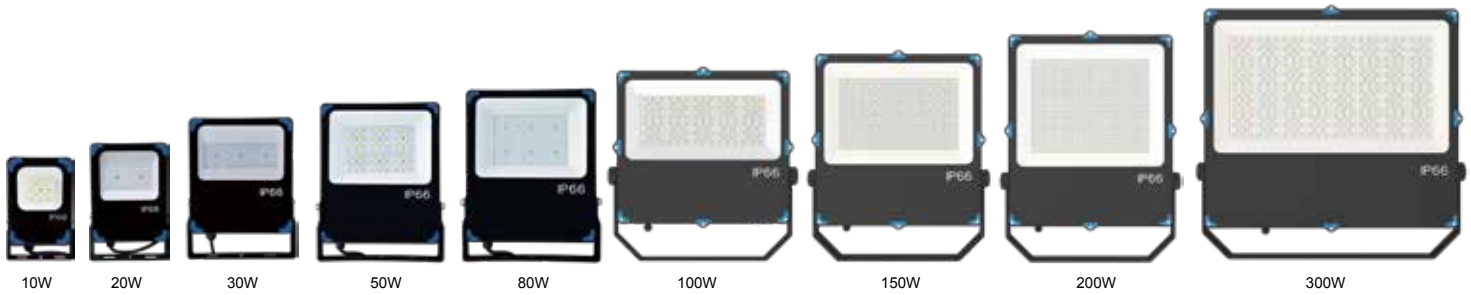


Product Spec:

Product Code	Power [W]	Power Factor	ColorTemp [K]	Lumen [lm]	CRI	Beam Angle	Voltage [AC]	IP	Life Span	Material
AL-FL1901-10W	10W	PF > 0.95	2700-3000K 4000-4500K 5500-6500K	100-125lm/w	>80	30° 60° 90° 120°	100-265Vac 220-240Vac	IP66	50000hrs	Die-Cast Aluminium
AL-FL1901-20W	20W									
AL-FL1901-30W	30W									
AL-FL1901-50W	50W									
AL-FL1901-80W	80W									
AL-FL1901-100W	100W									
AL-FL1901-150W	150W									
AL-FL1901-200W	200W									
AL-FL1901-240W	240W									
AL-FL1901-320W	320W									

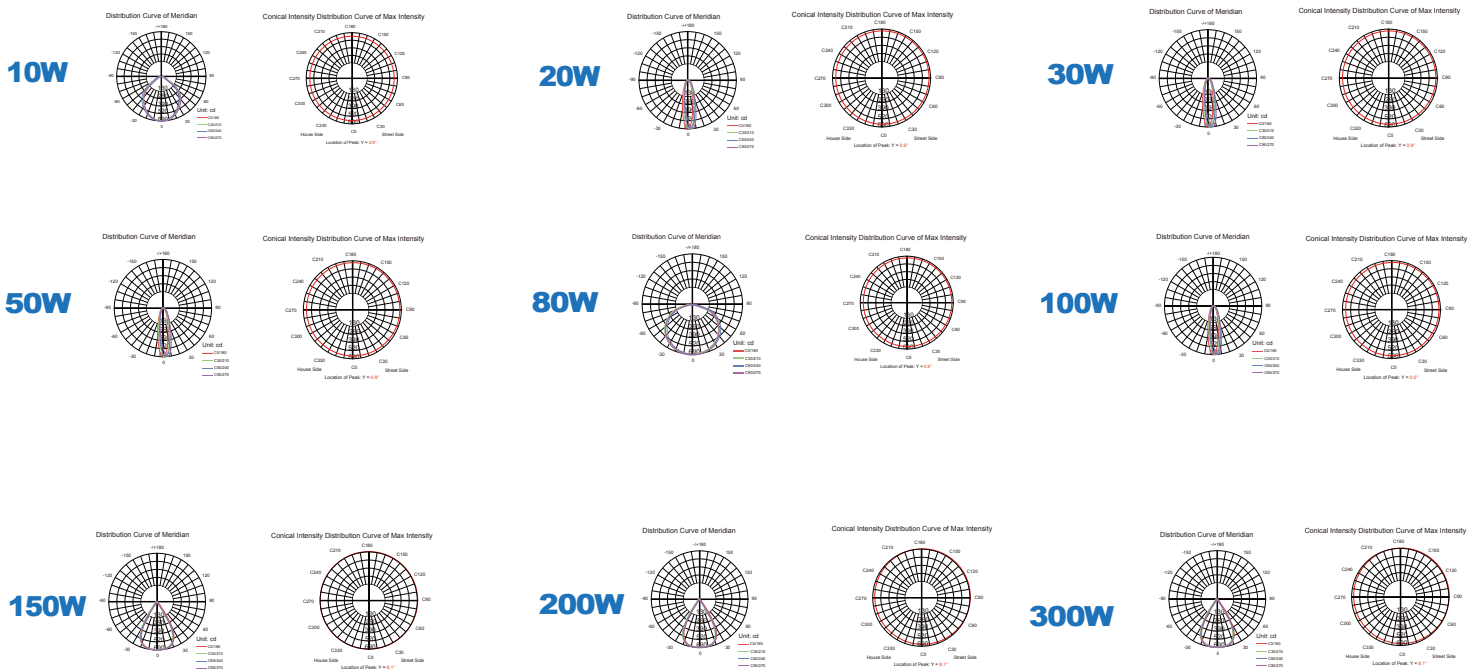


Dimension Drawing:

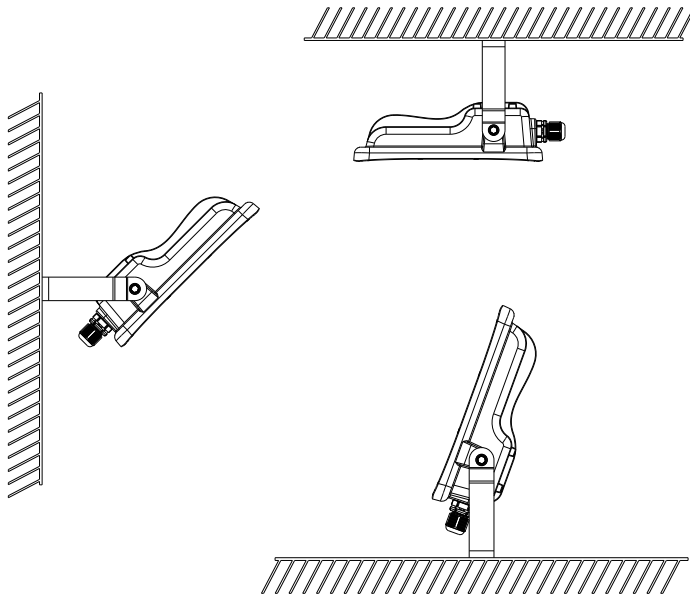


W	Product size
10W	181.8*149.6*122*46.8
20W	241.9*199.6*169*51
30W	282.3*229.6*220*51.8
50W	337.3*299.6*269*51.8
80W	337.3*299.6*274*51.8
100W	394.5*324.9*393.5*56.6
150W	445.5*375.9*392.5*56.8
200W	497.5*426.9*392.5*58.8
300W	503.5*447.1*545.6*86.4

Technical Parameters:



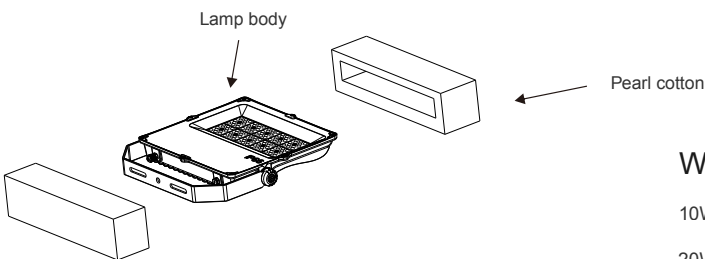
■ Installation diagram:



Bracket installation:

- Fix the bracket on the wall with screws first
- Reconnect the cable
- Then adjust the lamp body to the correct direction

■ Packaging diagram:



W	Packing dimensions	Package number	Gross weight
10W	190*180*55mm	1PCS	0.6kgs
20W	190*180*55mm	1PCS	0.6kgs
30W	248*175*60mm	1PCS	1.1kgs
50W	290*226*60mm	1PCS	1.6kgs
80W	345*286*60mm	1PCS	2.7kgs
100W	440*420*115mm	1PCS	4.4kgs
150W	490*420*115mm	1PCS	5.1kgs
200W	540*420*115mm	1PCS	6.1kgs
300W	580*550*115mm	1PCS	9.3kgs

